

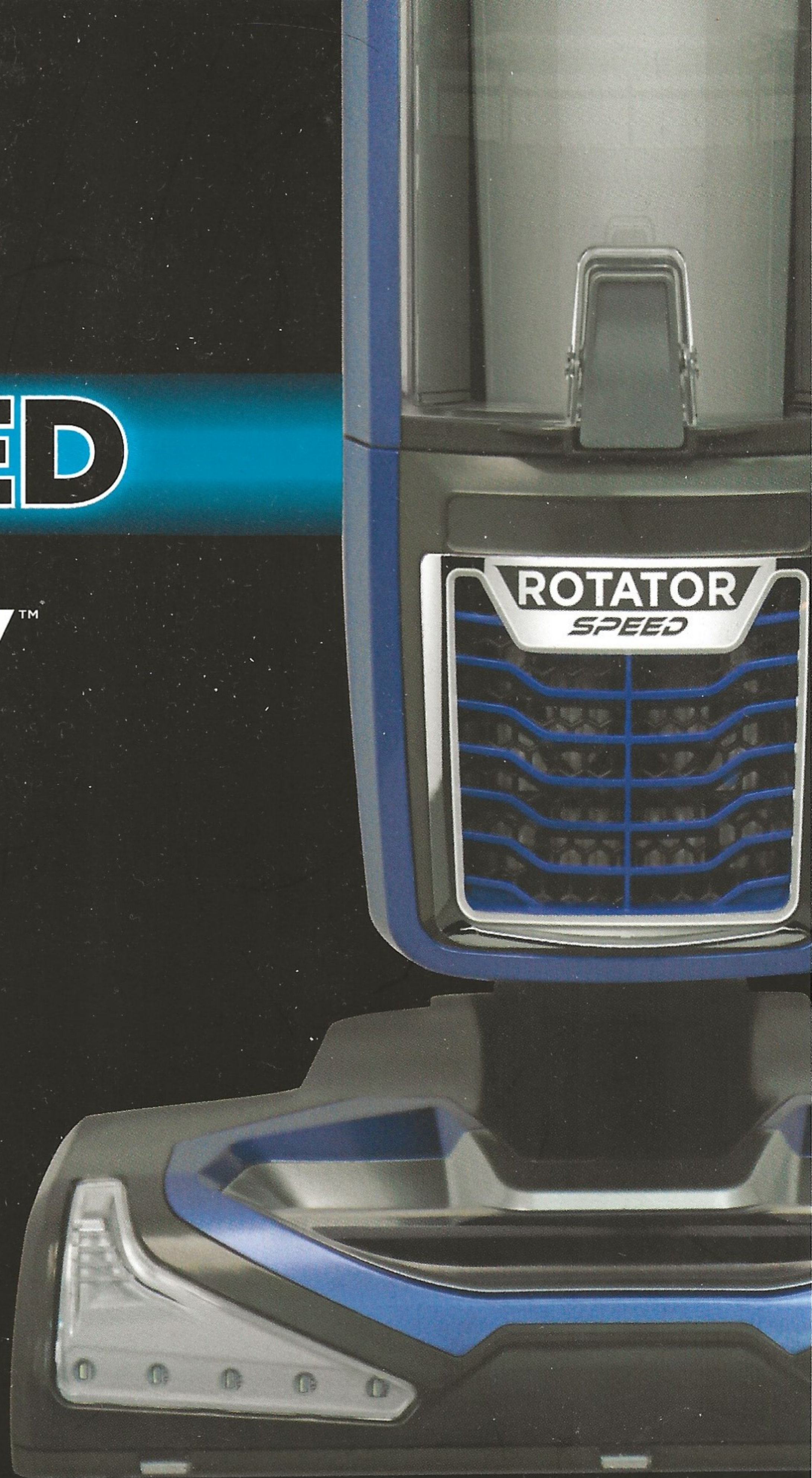
Shark[®]

ROTATOR[™]

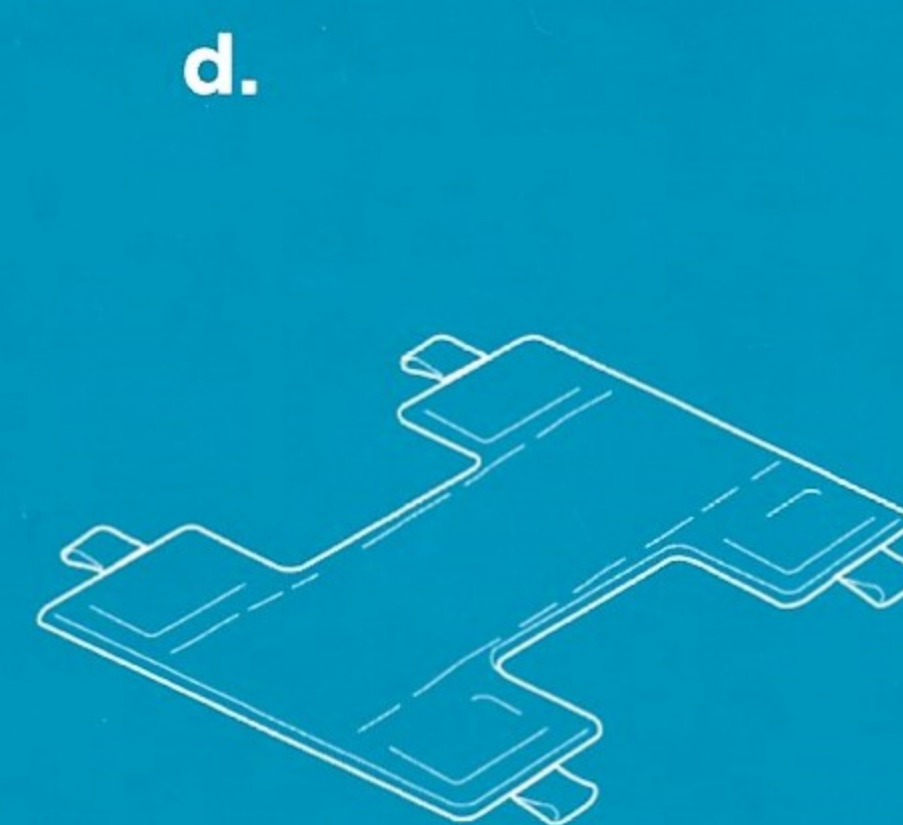
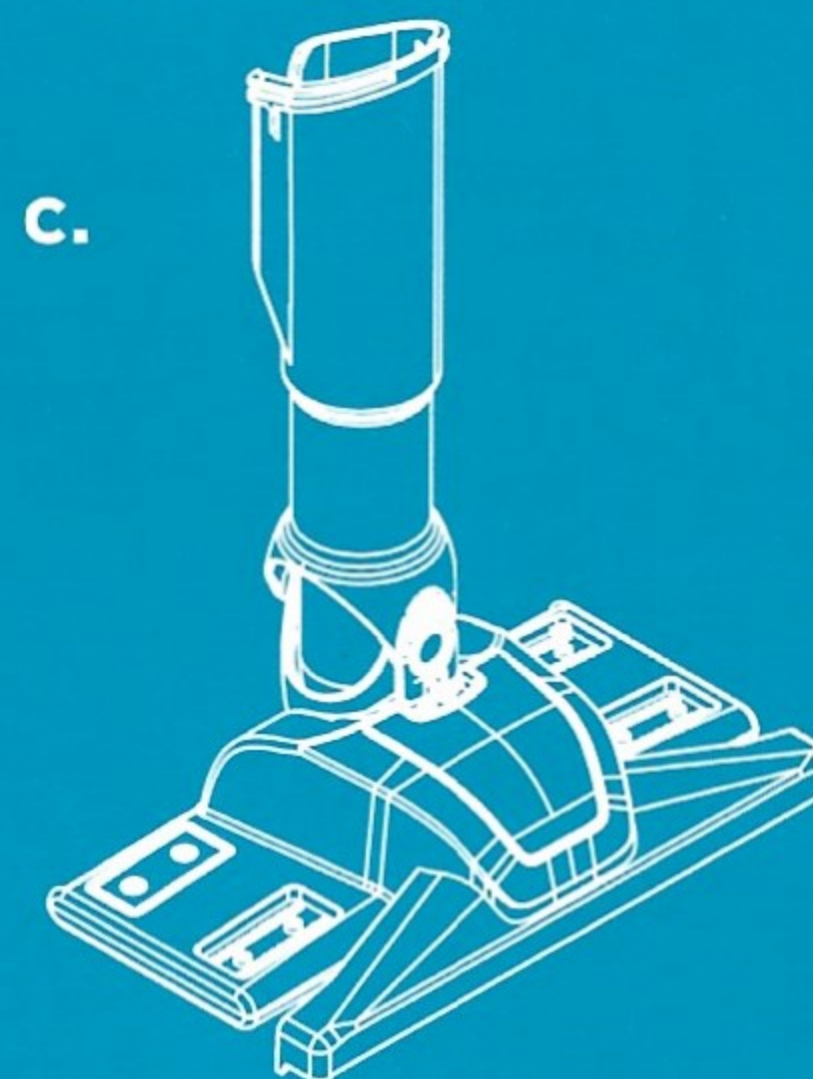
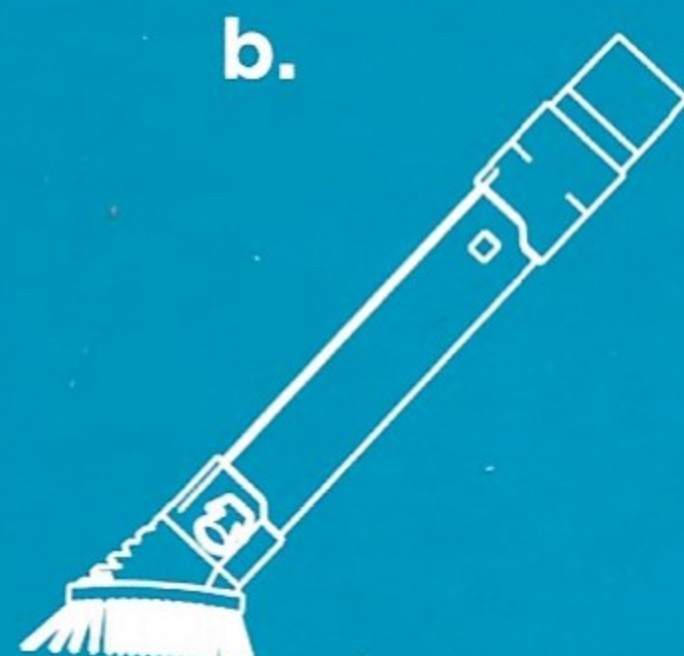
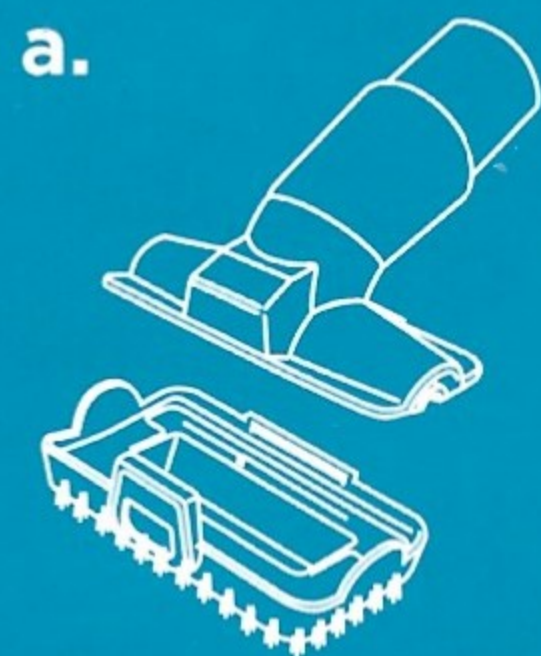
POWERED

Lift-Away[™]

SPEED NV680

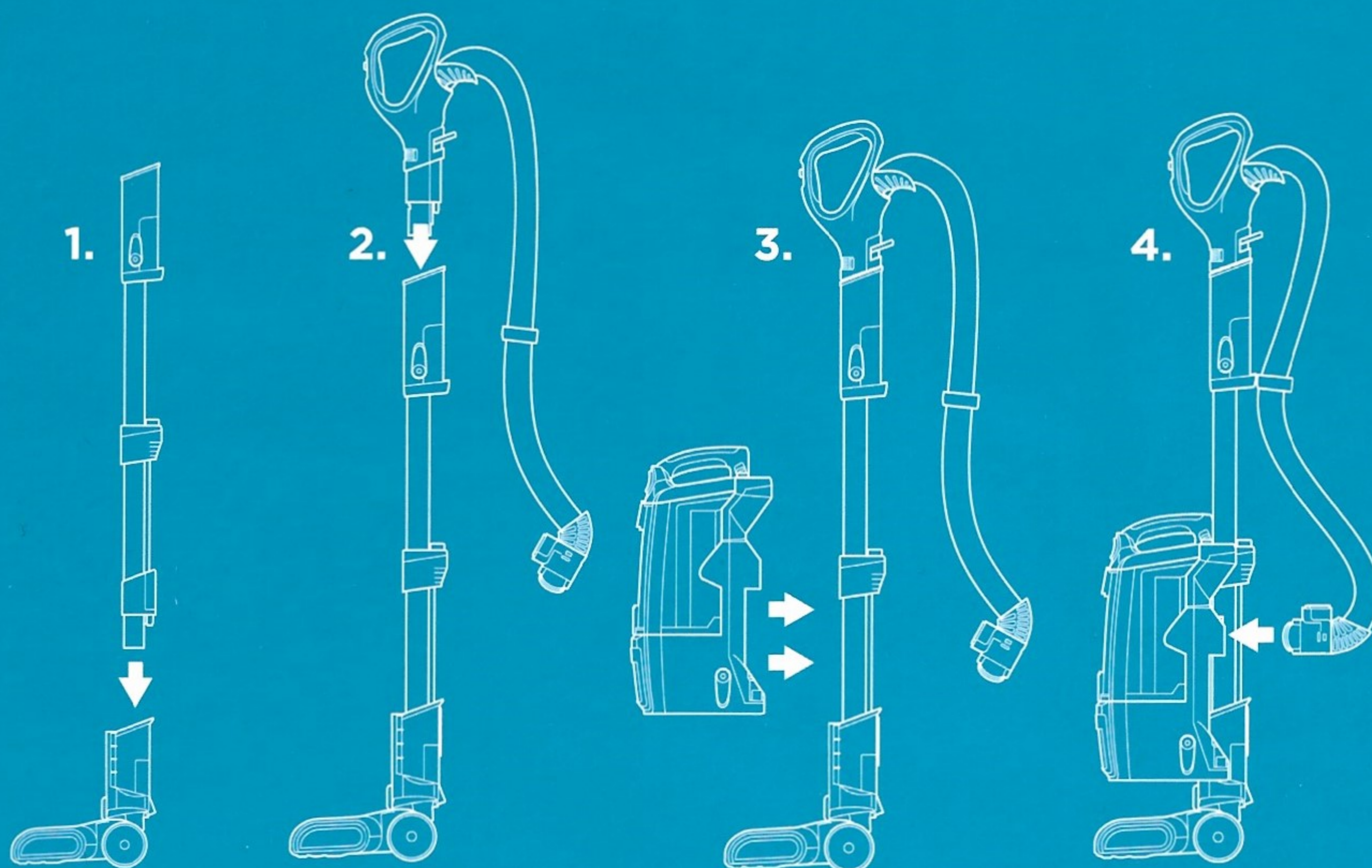


Accessories included



- a. Articulated upholstery tool
- b. 2 in 1 crevice tool
- c. Dust-Away™ attachment
- d. Dust-Away™ microfibre pad

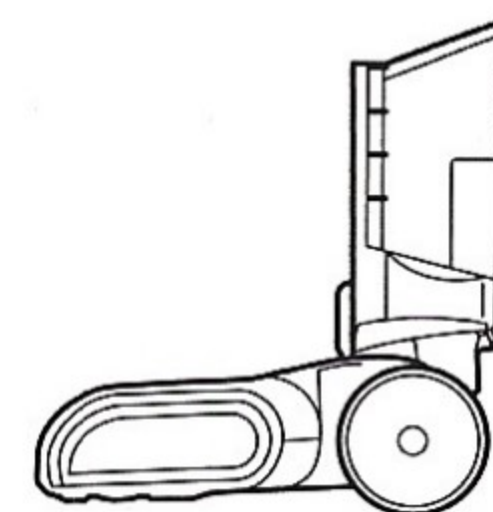
Easy assembly



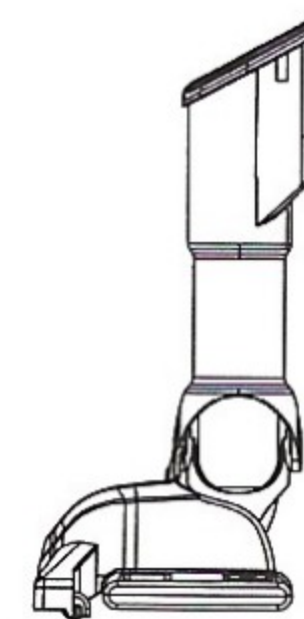
1. Insert wand into motorised floor nozzle.
2. Insert handle.
3. Place pod onto wand.
4. Insert hose.

For carpets and hard floors

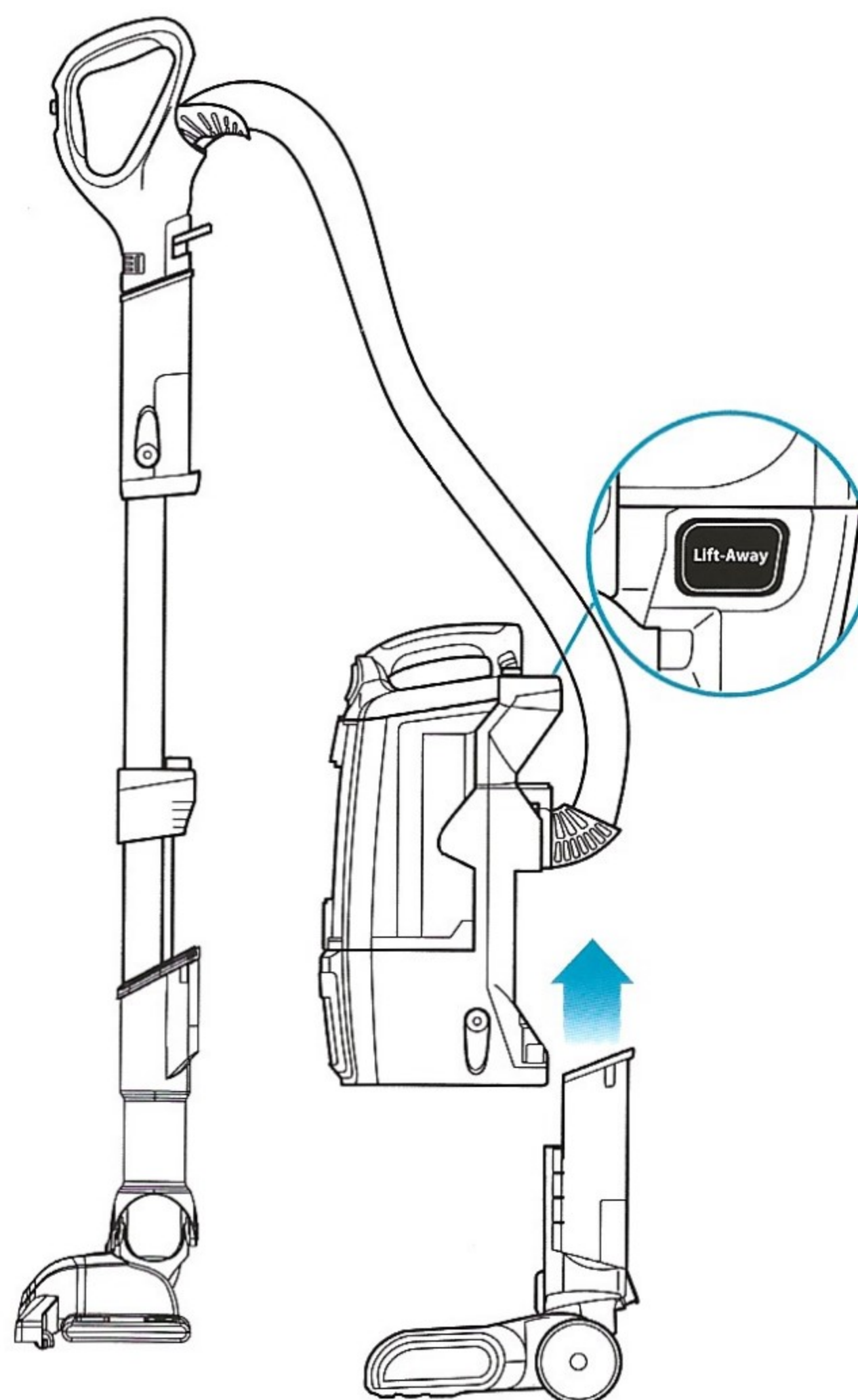
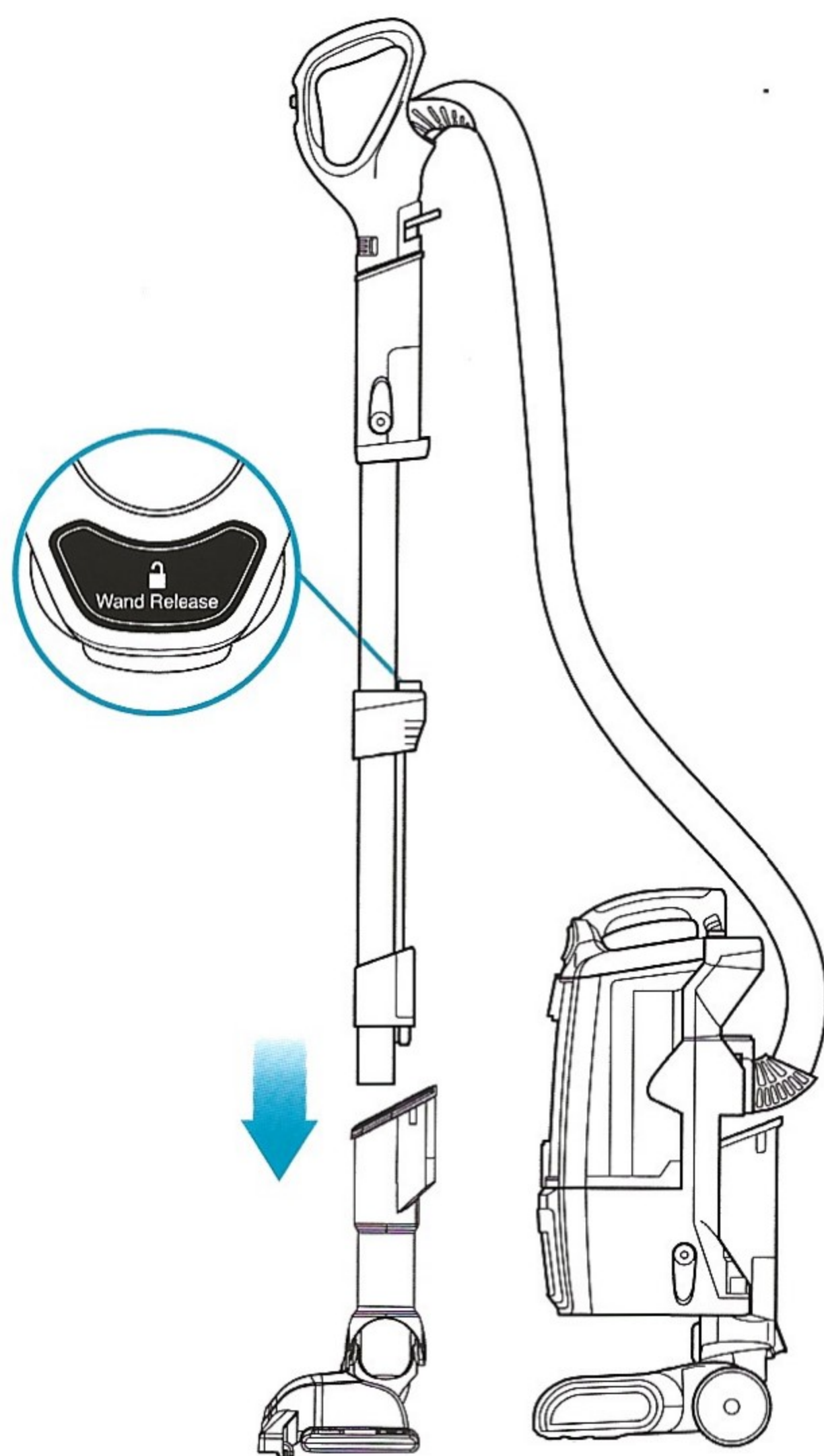
Changing floor nozzles for cleaning carpets and picking up large debris on hard floors.



Motorised floor nozzle



Dust-Away™ attachment

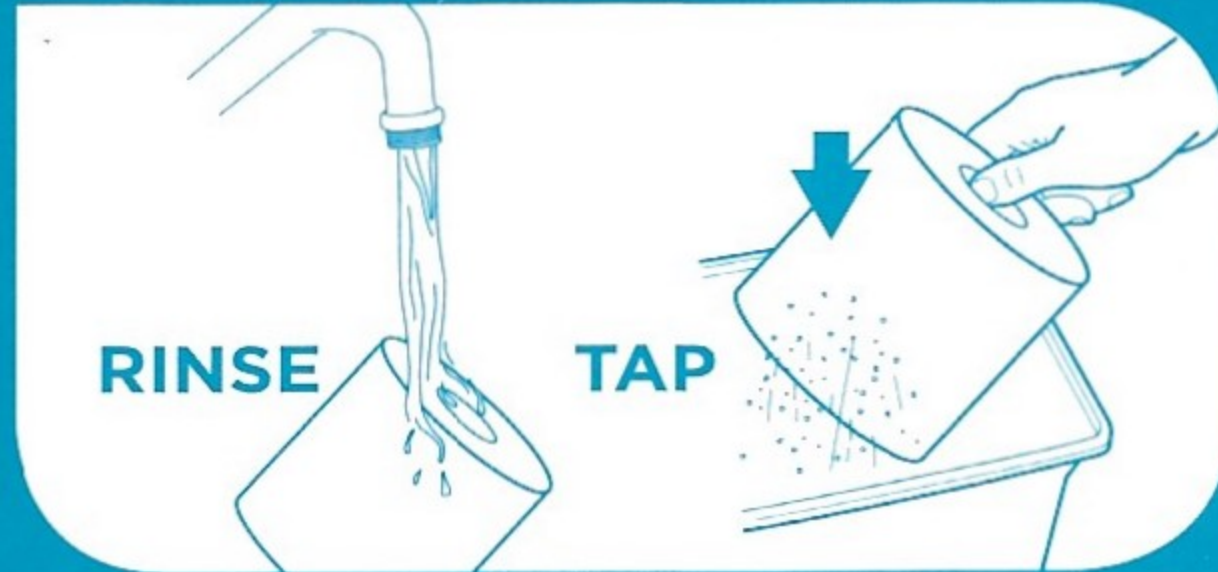
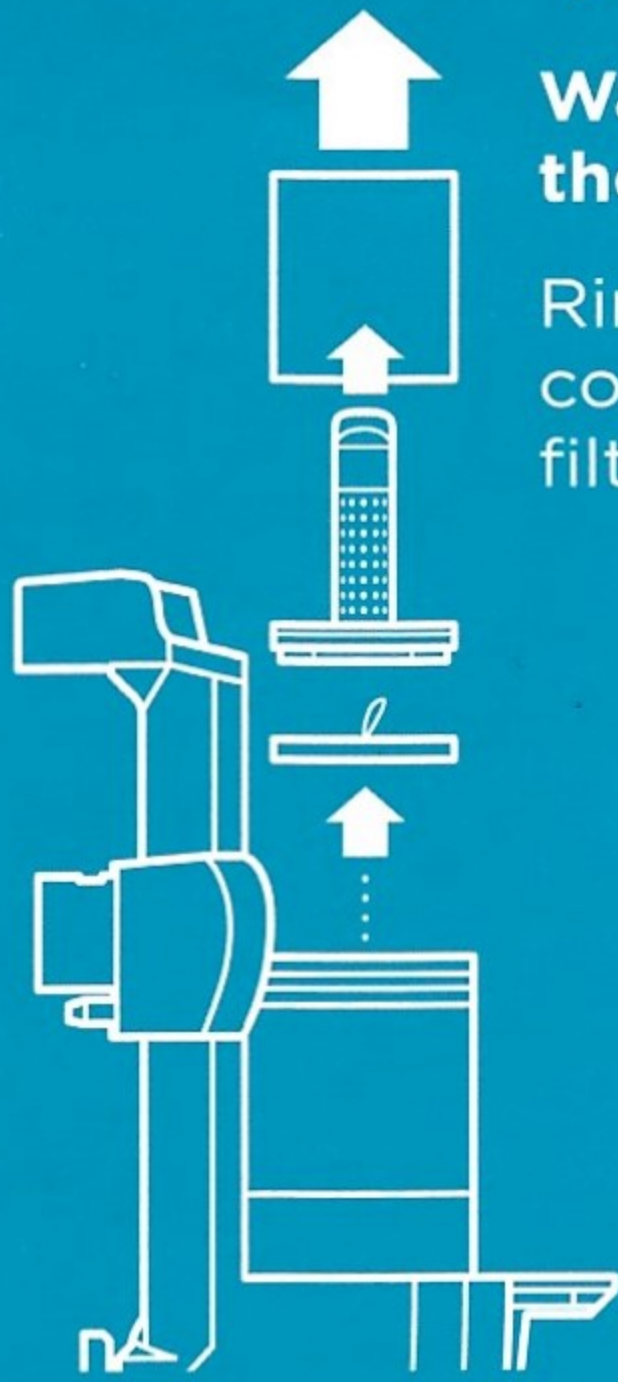


1. Press the WAND RELEASE button to remove the wand from the motorised floor nozzle.
2. Insert the wand into the Dust-Away attachment.
3. Press the LIFT-AWAY button to lift the pod off the motorised floor nozzle.

Washing filters

Wash filters every 3 months to keep the suction strong.

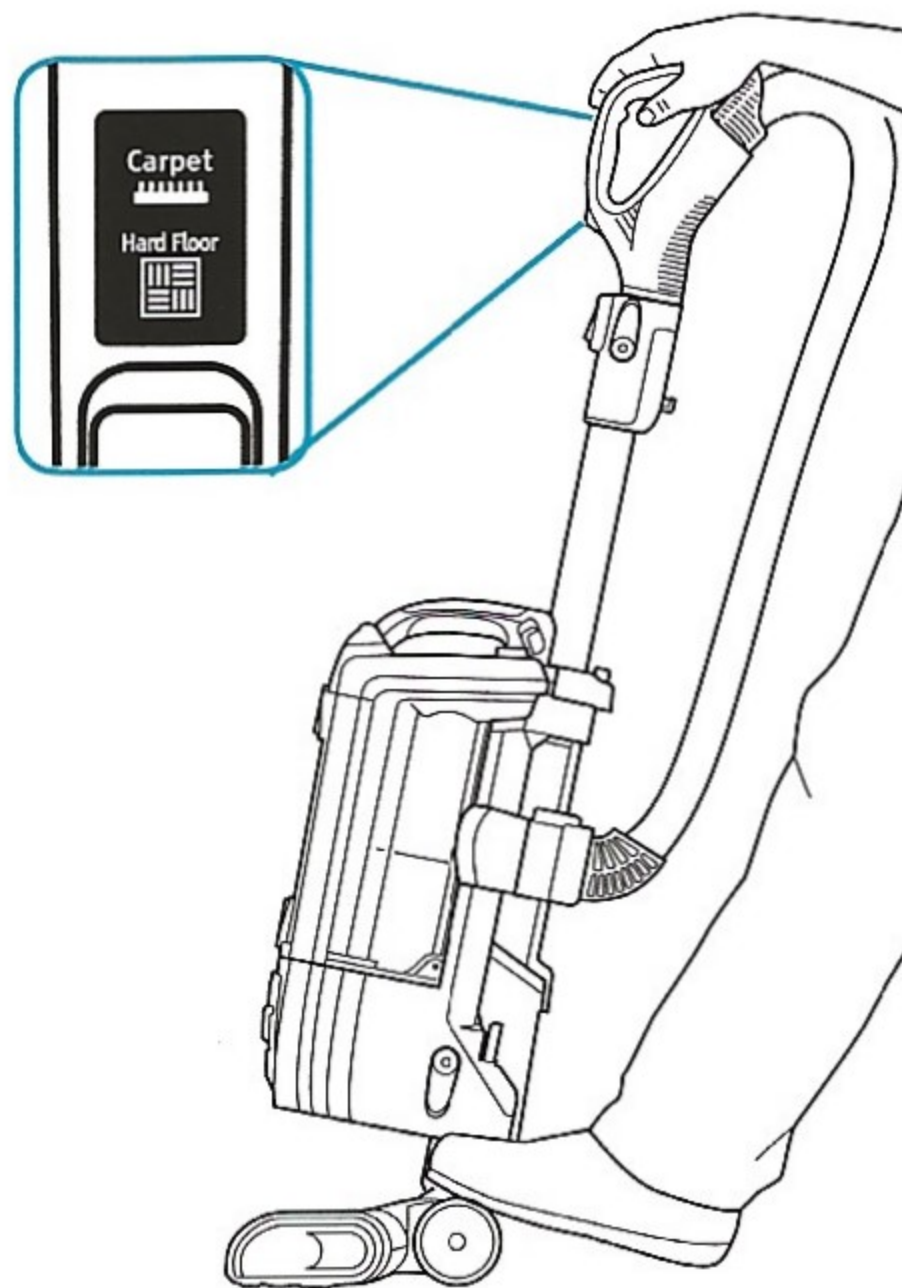
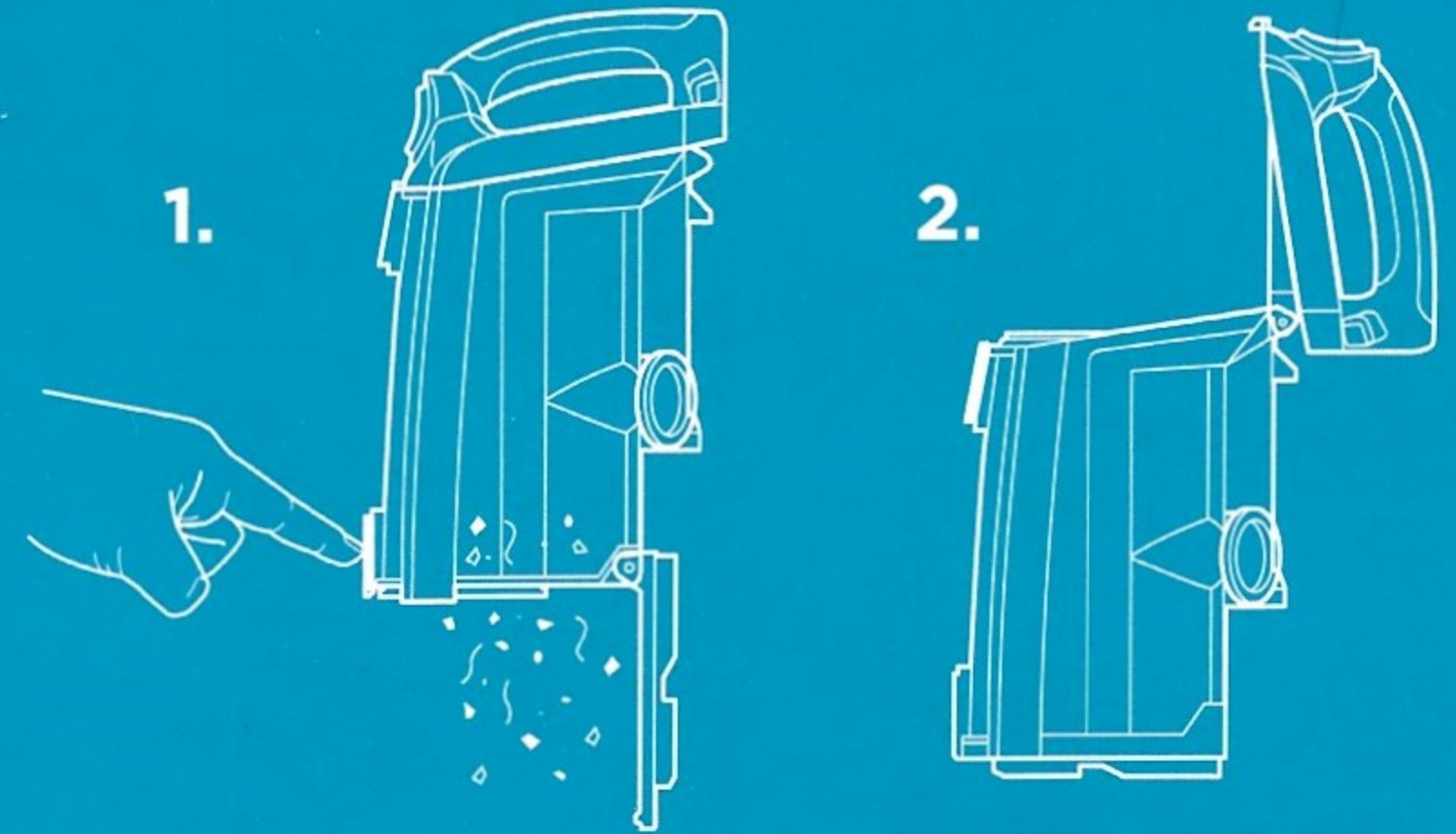
Rinse filters and allow to air dry completely. Tap loose dirt from foam filters as needed between washes.



Emptying the dustcup

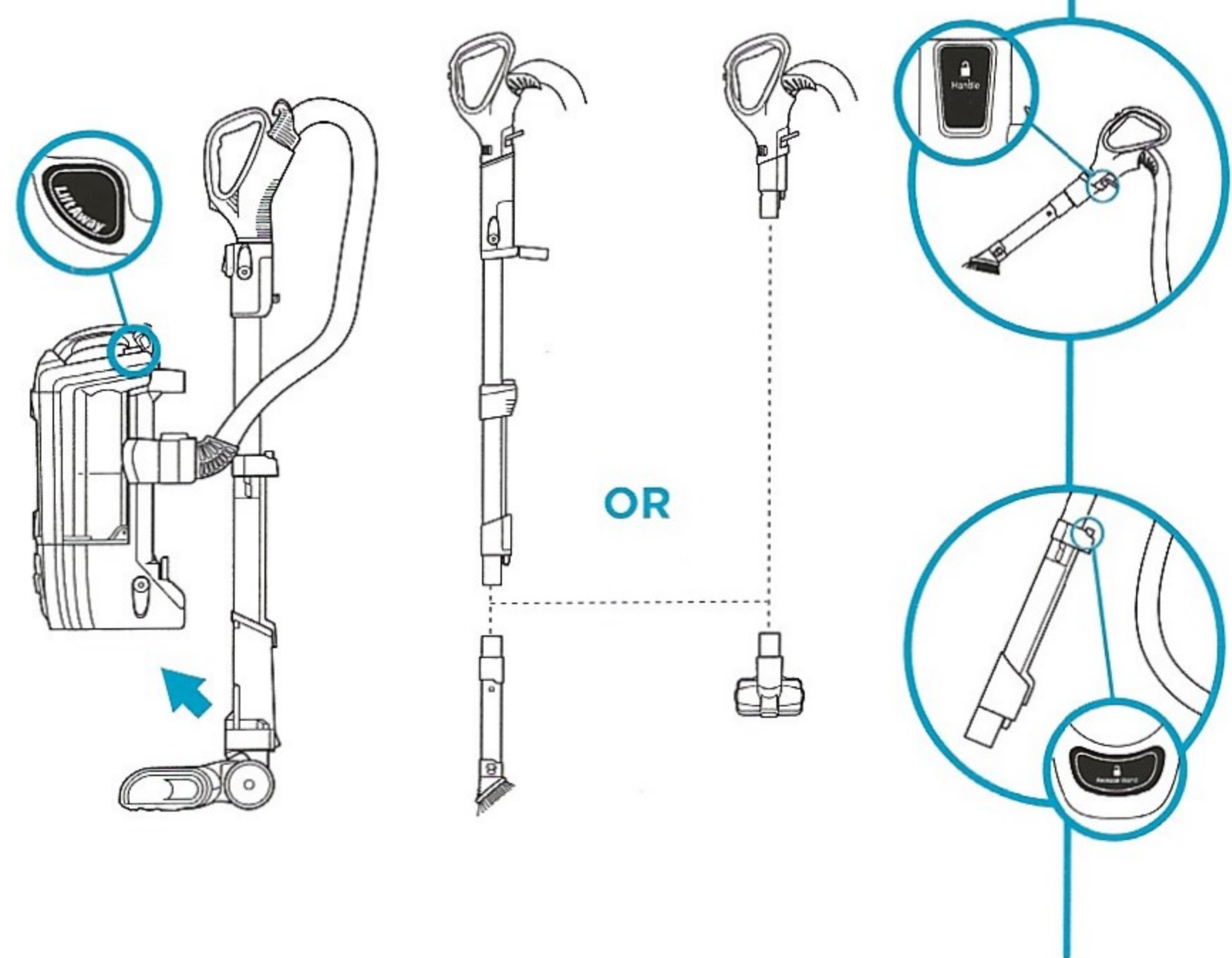
1. Holding the dustcup over a garbage bag or can, press the bottom empty release latch.

2. Press the top dustcup release latch to access the dust screen and remove built-up debris as required.



Upright Mode

For carpet and hard floor cleaning



Lift-Away™ Mode

For portable cleaning on stairs or above floor

CONGRATULATIONS!

Thank you for choosing the
Shark[®] Rotator[™] Powered
Lift-Away[™] NV680!
Wherever you go
the Shark[®] Rotator[™] Powered
Lift-Away[™] NV680 goes.



Shark®

www.sharkclean.eu

Call us!

We're here to help!

0800 862 0453

